

Position transmitters SMAT-8E, for T-slot



Position transmitters SMAT-8E, for T-slot

Key features

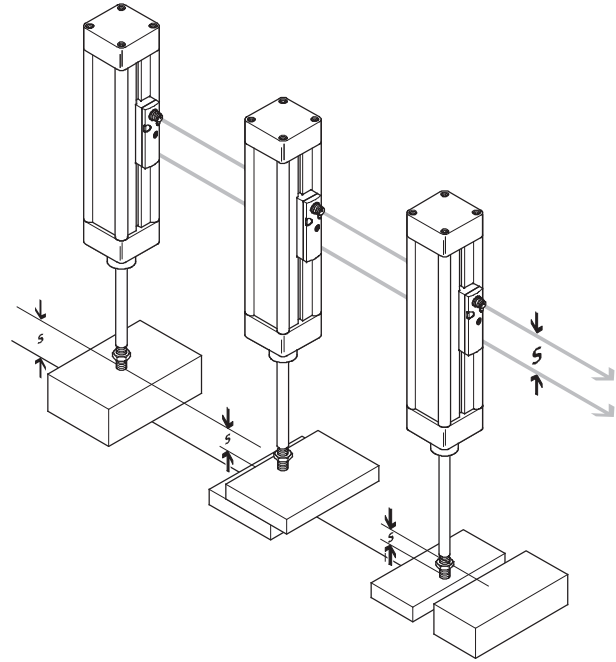
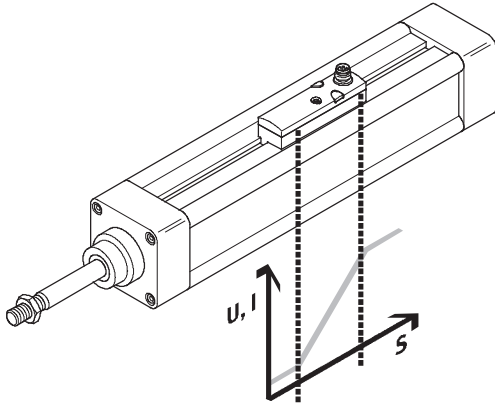
Design

The SMAT-8E is a sturdy magnetic measuring system with a 50 mm range. It provides a standardised analogue current and voltage signal

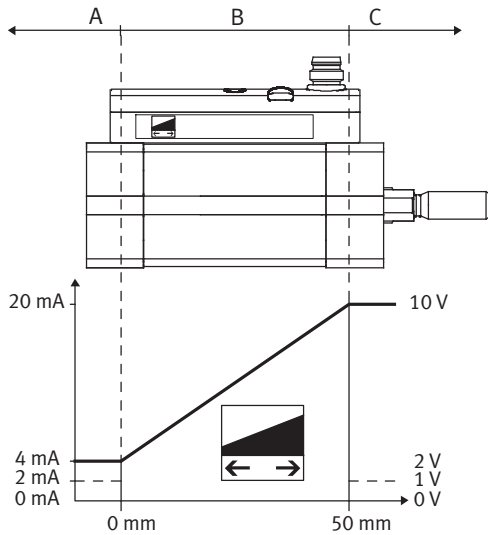
via an M8x1 plug connection, regardless of the drive used. The transmitter can thus be connected directly to the analogue input of a programmable

logic controller. The piston position of the pneumatic cylinder is detected by contactless sensing and the travel

distance can be measured between any set switching points with typical repeatability of 0.1 mm.



Analogue output as a function of piston position



Analogue output		Description	Range
[V]	[mA]		
0	0	No valid signal, e.g. no operating voltage	–
1	2	Piston outside of the measuring range after the operating voltage is switched on	A, C
2	4	Piston has left the measuring range in the negative direction	A
10	20	Piston has left the measuring range in the positive direction	C
2 ... 10	4 ... 20	Piston within the measuring range at the relevant position	B

Note

Sensors that detect magnetic fields, such as the position transmitter SMAT, must not be secured onto

the drive using mountings made from ferritic materials, as this can lead to malfunction.

Position transmitters SMAT-8E, for T-slot

Selection aid

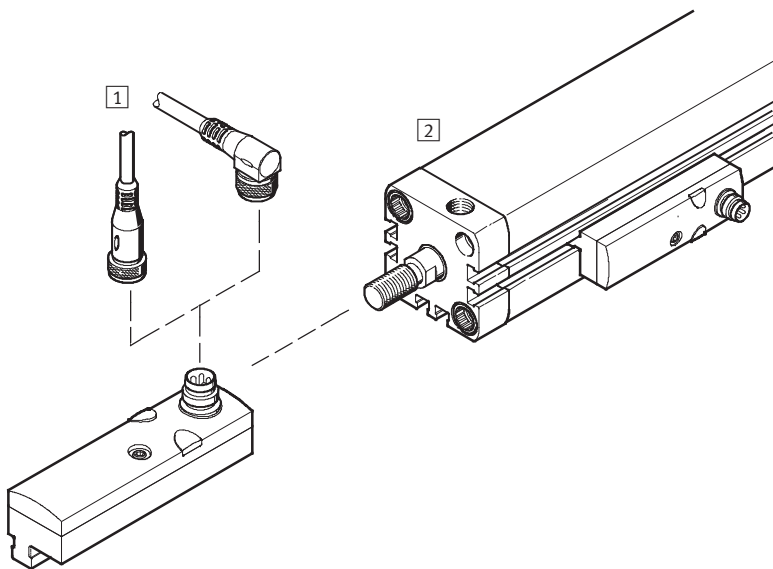
Drive	Piston Ø	Suitability
Standards-based cylinders		
Standard cylinders DSNU, ESNU		o
Standard cylinders DSN, ESN		-
Standard cylinders DNCB		++
Standard cylinders DNC		++
Standard cylinders DNG		-
Standard cylinders CDN-...-R with sensor strip		-
Standard cylinders DNU		-
Standard cylinders ADN		++
Cylinders with piston rod		
Compact cylinders ADVU, AEVU		++
Short-stroke cylinders ADVC, AEVC	Ø 6 ... 25	-
	Ø 32 ... 100	++
Flat cylinders EZH-10/40-40-A-B		+
Flat cylinders DZF	Ø 12, 25, 32, 40, 63	+
	Ø 18, 50	++
Flat cylinders DZH	Ø 16 ... 25	+
	Ø 32 ... 63	-
Round cylinders DSNU, ESNU		o
Round cylinders DSEU, ESEU		o
Multimount cylinders DMM, EMM		+
Round cylinders CRDG		o
Round cylinders CRDSW		o
Standard cylinders CRHD		o
Standard cylinders CRDSNU		o
Standard cylinders CRDNG		-
Standard cylinders CRDNGS		-
Rodless cylinders		
Linear drives DGC		-
Linear drives DGP, DGPL		-
Linear drives SLG		-
Linear drives DGO		-
Linear drives SLM	Ø 12, 40	++
	Ø 16 ... 32	o
Semi-rotary drives		
Semi-rotary drives DSM	Ø 6 ... 10	-
Semi-rotary drives DRQ		-
Semi-rotary drives DRQD	Ø 6, 8, 12, 40, 50	-
	Ø 16 ... 32	++
Function-oriented drives		
Stopper cylinders STA, STAF		-
Linear/swivel clamps CLR		o
Swivel/linear units DSL		-

Drive	Piston Ø	Suitability
Drives with linear guide		
Mini slides SLS, SLF, SLT		-
Twin-piston cylinders SPZ	Ø 10, 25	o
	Ø 16	++
	Ø 32	-
Guided drives DFP	Ø 10 ... 16	-
	Ø 25 ... 80	o
Mini guided cylinders DFC		-
Guided drives DFM	Ø 12, 25, 50	++
	Ø 16, 20, 32, 40, 63, 80	+
	Ø 100	-
Guided drives DFM-B	Ø 12, 16, 25, 32	-
	Ø 20	+
	Ø 40, 50	++
	Ø 63	-
Linear units SLE		-
Twin-piston cylinders DPZ		++
Handling units		
Linear modules HMP		-
Linear modules HMPL		-
Handling modules HSP		-
Feed separators HPV		-
Three-point grippers HGD		-
Parallel grippers HGP		-
Parallel grippers HGPP		-
Parallel grippers HGPT		-
Angle grippers HGW		-
Radial grippers HGR		-
Cushioning components		
Stop elements YSRWJ		-
Electrical positioning systems		
Toothed belt axes DGE-ZR		-
Spindle axes DGE-SP		-
System components		
Heavy-duty guides HD		-
Valve actuators		
Copac linear actuators DLP-A		-

- ++ Unrestricted use
- + Sensor function guaranteed without restriction; installation direction and clamping are drive-specific
- o On request
- Not suitable

Position transmitters SMAT-8E, for T-slot

Peripherals overview



Accessories	→ Page/Internet
1 Connecting cable NEBU-M8	9
2 Standard cylinder DNCB	dncb
Standard cylinder DNC	dnc
Standard cylinder ADN	adn
Compact cylinder ADVU, AEVU	advu
Short-stroke cylinder ADVC, AEVC	advc
Flat cylinder EZH	ezh

Accessories	→ Page/Internet
2 Flat cylinder DZF	dzf
Flat cylinder DZH	dzh
Multimount cylinder DMM, EMM	dmm
Linear drive SLM	slm
Semi-rotary drive DRQD	drqd
Twin-piston cylinder SPZ	spz
Guided drive DFM, DFM-B	dfm

Position transmitters SMAT-8E, for T-slot

FESTO

Type codes

		SMAT	-	8E	-	S50	-	IU	-	E	-	0,3	-	M8D	
Type															
SMAT	Position transmitter, magnetic														
Design															
8E	For T-slot, insertable in slot lengthwise														
Position measuring range															
S50	48 ... 52 mm														
Analogue output															
IU	0 ... 10 V, 0 ... 20 mA														
Cable attribute															
E	Energy chain + robot applications														
Cable length															
0,3	0.3 m														
Electrical connection															
M8	Plug M8, 4-pin, fixed														
M8D	Plug M8, 4-pin, rotatable thread														

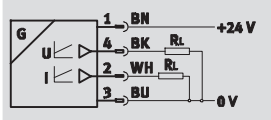
Position transmitters SMAT-8E, for T-slot

FESTO

Technical data

Function

Normal operation



General technical data		
Type	SMAT-8E-...-M8	SMAT-8E-...-E-0,3-M8D
Design	For T-slot	
Certification	cULus listed (OL)	–
	C-Tick	
CE mark (see declaration of conformity)	To EU EMC Directive	
Note on materials	Free of copper and PTFE	
	RoHS-compliant	
	–	Cable free of halogen
	–	Cable resistant to oil

Input signal/measuring element		
Measuring principle		Magnetic
Position measuring range	[mm]	48 ... 52
Ambient temperature ¹⁾	[°C]	–20 ... +50

1) Extended ambient temperature range on request.

Signal processing		
Typ. sampling interval	[ms]	2.85
Max. travel speed	[m/s]	3

Output, general		
Displacement resolution	[mm]	0.064

Analogue output		
Analogue output	[V]	0 ... 10
	[mA]	0 ... 20
Sensitivity	[V/mm]	0.152
	[mA/mm]	0.305
Typ. linearity error	[mm]	0.25
Repetition accuracy of analogue value ²⁾	[mm]	±0.064
Min. load resistance of voltage output	[kΩ]	2
Max. load resistance of current output	[Ω]	500

2) Use of a non-rotating piston rod or a mechanical structure to protect against rotation is recommended.

Position transmitters SMAT-8E, for T-slot

Technical data

Output, additional data	
Protection against short circuit	Yes
Protection against overloading	Yes

Electronic components		
Operating voltage range	[V DC]	15 ... 30
Idle current	[mA]	32
Reverse polarity protection	For all electrical connections	

Electromechanical components		
Type	SMAT-8E-...-M8	SMAT-8E-...-E-0,3-M8D
Electrical connection	Plug M8x1, 4-pin	
Connection direction	Lateral	In-line
Cable attribute	–	Energy chain + robot applications

Mechanical components		
Type	SMAT-8E-...-M8	SMAT-8E-...-E-0,3-M8D
Mounting position	Any	
Product weight	[g]	15 21.4
Housing materials	PA-reinforced, PC	
Cable sheath materials	–	TPE-U(PU)

Display/operation	
Ready status display	Green LED
Status display	Red LED = outside measuring range

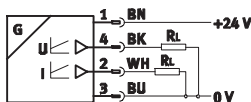
Immissions/emissions		
Type	SMAT-8E-...-M8	SMAT-8E-...-E-0,3-M8D
Protection class	IP65, IP67	IP65, IP68
Corrosion resistance class CRC ³⁾	2	

3) Corrosion resistance class 2 according to Festo standard 940 070

Components subject to moderate corrosion stress. Externally visible parts with primarily decorative surface requirements which are in direct contact with a normal industrial environment or media such as coolants or lubricating agents.

Pin allocation

Normal operation Plug



- 1 Operating voltage
- 2 Analogue output 0 ... 20 mA
- 3 0 V
- 4 Analogue output 0 ... 10 V

Wire colours

BN = brown BU = blue
BK = black WH = white

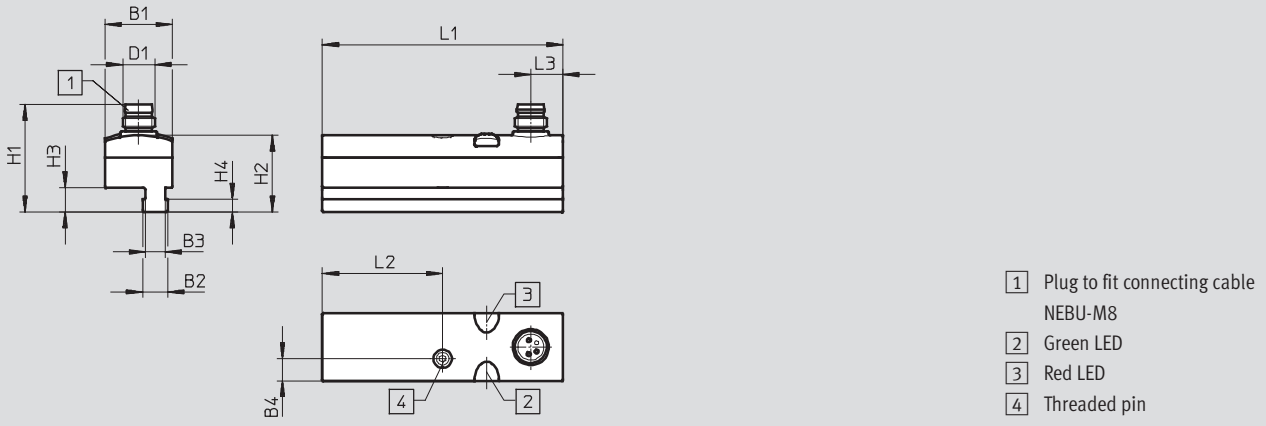
Position transmitters SMAT-8E, for T-slot

Technical data

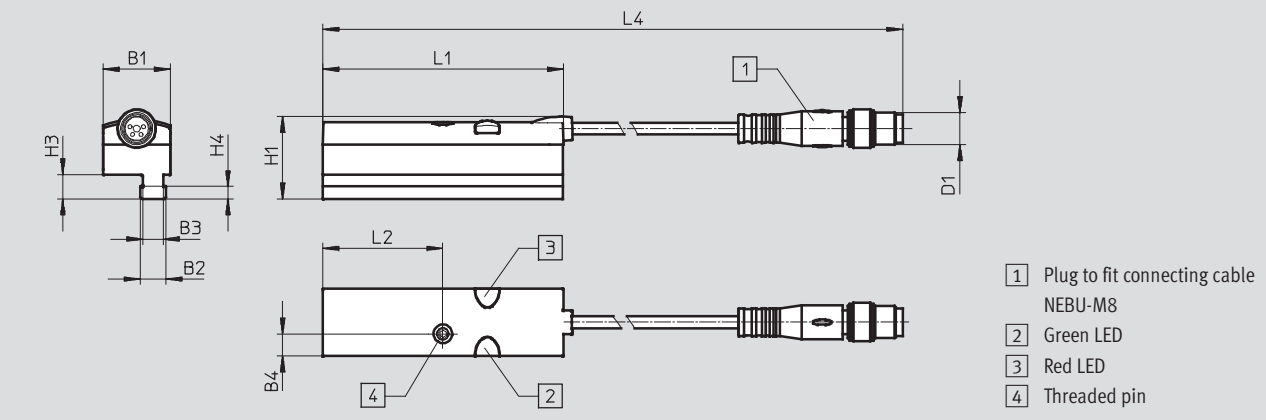
Dimensions

Download CAD data → www.festo.com

SMAT-8E-...-M8

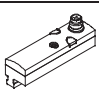
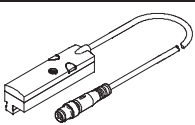


SMAT-8E-...-M8D






Type	B1	B2	B3	B4	D1	H1	H2	H3	H4	L1	L2	L3	L4
SMAT-8E-...-M8	16.8	6.3	5	5.5	M8x1	26.8	19.1	6.1	3.1	60	30	8	-
SMAT-8E-...-M8D						20.6	-					-	420

Ordering data

	Electrical connection	Cable length [m]	Part No.	Type
	Plug M8x1, 4-pin, fixed	-	540191	SMAT-8E-S50-IU-M8
	Plug M8x1, 4-pin, rotatable thread	0.3	570134	SMAT-8E-S50-IU-E-0,3-M8D

Position transmitters SMAT-8E, for T-slot

Accessories

Ordering data – Connecting cables NEBU-M8				Technical data → Internet: nebu	
	Electrical connection, left	Electrical connection, right	Cable length [m]	Part No.	Type
	Straight socket, M8x1, 4-pin	Cable, open end, 4-wire	2.5	541342	NEBU-M8G4-K-2.5-LE4
			5	541343	NEBU-M8G4-K-5-LE4
	Straight socket, M8x1, 4-pin	Straight socket, M8x1, 4-pin	2.5	554035	NEBU-M8G4-K-2.5-M8G4
	Angled socket, M8x1, 4-pin	Cable, open end, 4-wire	2.5	541344	NEBU-M8W4-K-2.5-LE4
			5	541345	NEBU-M8W4-K-5-LE4